

Procedure 6.5 - Replacing the Drive Belt

WARNING

Always turn off the circuit breaker and unplug the treadmill before you remove the treadmill hood.

Removing the Drive Belt

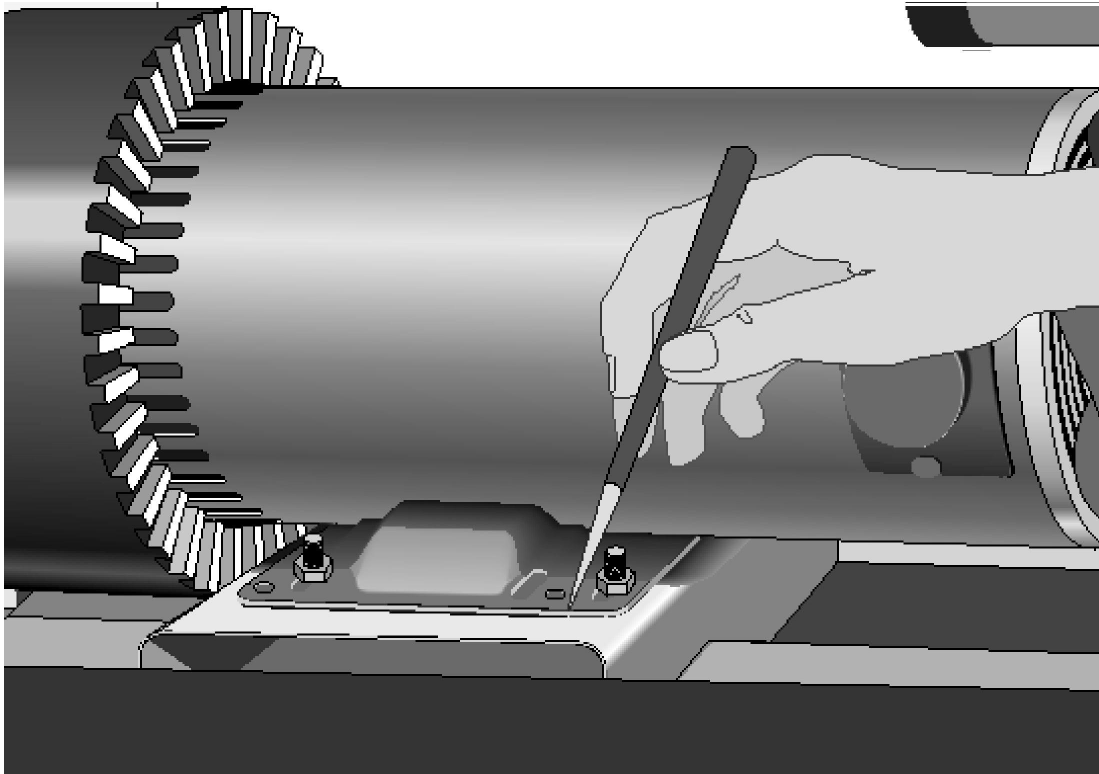
1. Remove the hood.
2. Score a line on the drive motor mounting plate that runs the length of the motor pedestal (see Diagram 6.4).

Note:

The line scored on the mounting plate allows you to correctly position the drive motor.

3. If the treadmill is an SCR treadmill, remove the inductor.
4. Loosen the four lock nuts that secure the drive motor pedestal to the drive motor mounting plate.

Diagram 6.4 - Scoring the Drive Motor Pedestal



5. Carefully push the drive motor toward the drive roller.
6. Loosen the bolts threaded through both ends of the drive roller shaft.
7. Remove the socket head screws that secure the top drive roller mounts (see Diagram 6.5).
8. Remove the top roller mounts, then remove the drive belt from the drive roller pulley.
9. Lift the drive roller from the lower roller mounts and slide it from the running belt.
10. Slip the drive belt off the drive motor pulley.

Replacing the Drive Belt

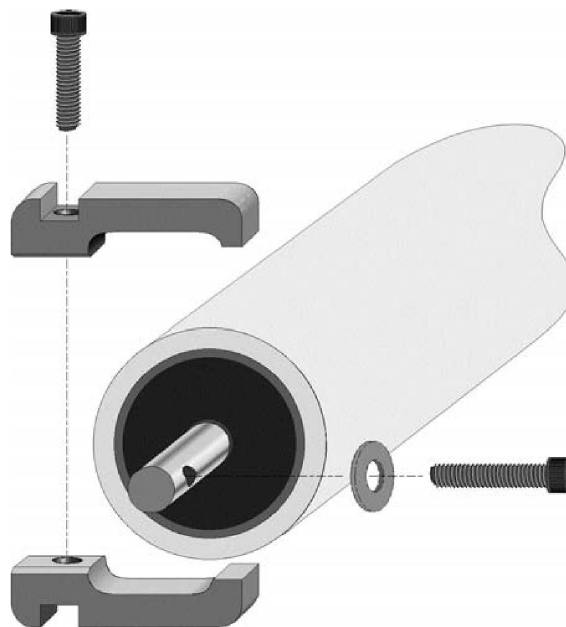
11. Push the drive roller through the running belt. Place the drive belt on the drive roller pulley and place the drive roller on the lower drive roller mounts.
12. Place the top roller mounts on the lower roller mounts.

Note:

When you place the top roller mounts over the ends of the roller shaft, the bolt heads and washers must be outside of the clamp formed by the upper and lower roller mounts.

13. Thread the socket head screws through the top roller mounts and into the lower roller mounts.

Diagram 6.5 - Roller Mount Assembly



14. Tighten the socket head screws.
15. Push and hold the left side of the drive roller toward the drive motor.

Note:

Right, left, front, and back are from the perspective of a user standing on the treadmill and facing the electronic console.

CAUTION

Do not crush the washer on the bolt when you perform the next step.

16. Turn the bolt in the left end of the drive roller shaft all the way clockwise and tighten securely.
17. Adjust the right hand bolt until the drive roller is square to the frame.
18. Position the new drive belt on the drive motor pulley.
19. Position the drive motor pedestal parallel to the line scored on the drive motor mounting plate.
20. Tighten the bolts that mount the pedestal to the drive motor mounting plate.
21. Replace the inductor.
22. Inspect and adjust the tension of the drive belt as described in the Commercial Treadmill Service Manual.

Note:

The drive belt will track along either the right or left edge of the pulley grooves. It will not center itself between the pulley flanges.

23. Check the operation of the treadmill, then replace the hood.